

<b>PCB 继电器</b>	<b>TRA2F</b>
----------------	--------------

- 16A switching capabilities
- 5KV dielectric strength between coil to contacts
- 10KV surge voltage between coil to contacts
- Meet requirements of 8mm creepage distance
- Class B/F available
- Conform to RoHS,ELV directive

07001021115

E173485

R50113138

外形尺寸 29×12.6×24.2

**ORDERING CODE 订购代码**

<u>TRA2F</u> — <u>12VDC</u> — <u>H</u> 1                      2                      3
1. Relay Model 继电器型号 2. Coil Nominal Voltage 线圈额定电压 5,6,9,12,18,24,48VDC 3. 触点转换形式 H: Form A

**COIL DATA 线圈参数 (at 20°C)**

Nominal Voltage 额定电压(VDC)	5	6	9	12	18	24	48	0.54W
Coil Resistance 线圈阻值( $\Omega \pm 10\%$ )	46	67	150	270	620	1050	4250	
Rated Current 额定电流(mA)	108	90	60	45	29	22.5	11.3	
Max Operate Voltage 最大吸合电压(VDC)	4	4.8	7.2	9.6	14.4	19.2	38.4	
Min Release Voltage 最小释放电压(VDC)	0.5	0.6	0.9	1.2	1.8	2.4	4.8	
Max Applicable Voltage 最大过载电压	70°C时额定电压的130%，23°C时额定电压的170%							

**CONTACT DATA 触点参数**

Contact Form 触点形式	1H
Contact Material 触点材料	Silver Alloy
Load 负载	Resistive load(COS $\Phi$ =1)
Contact Ratings 触点负载	16A 250VAC      20A 125VAC 16A 30VDC
Minimum load 最小负载	-----
Max Switching Voltage 最大转换电压	277VAC/30VDC
Max Switching Current 最大转换电流	20A
Max Switching Power 最大转换功率	-----
Contact Resistance 接触电阻	50m $\Omega$ Max                      at 6VDC 1A
Life Expectancy 寿命	Electrical 电气寿命: 100,000 Operations(at30Operations/minute) Mechanical 机械寿命: 10,000,000 Operations(at300Operations/minute)

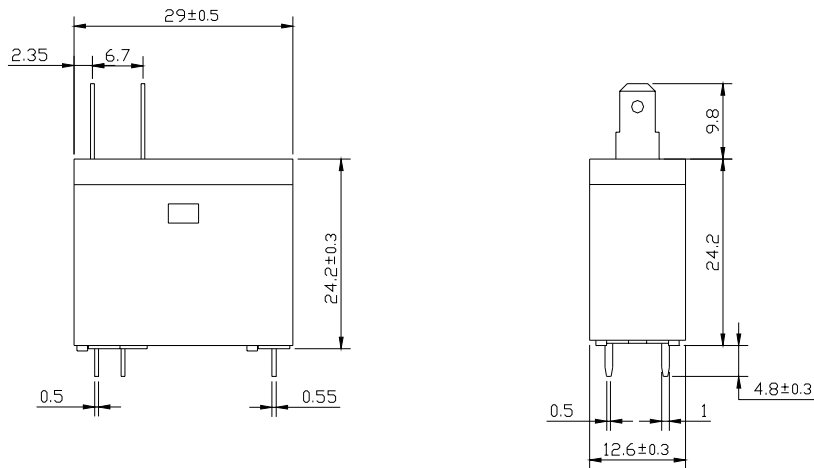
### ■ CHARACTERISTICS DATA 性能参数

Insulation Resistance 绝缘阻值	1000M $\Omega$ Min at 500VDC
Dielectric Strength Between Open Contacts 触点间耐压	1000VAC(for one minute)
Between Contacts and coil 触点与线圈间耐压	5000VAC(for one minute)
Operate Time 吸合时间	20ms
Release Time 释放时间	10ms
Temperature Range 环境温度	-40°C to +85°C
Shock Resistance 冲击	Operating Extremes 动作极限: 10G 11ms
	Damage Limits 破坏极限: 100G 6ms
Vibration Resistance 振动	10-55Hz, 1.5mm
Max. switching frequency 最大转换频率	Mechanical: 18,000operations/hr
	Electrical: 1,800operations/hr
Humidity 湿度	40-85%
Weight 重量	Approx 15g
Safety Standard 安全标准	UL cUL TÜV CQC

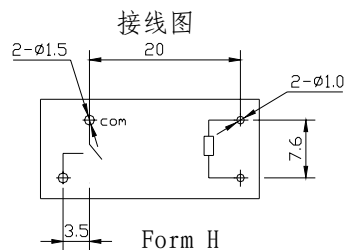
### ■ APPROVED STANDARDS 安全标准

Model(型号)	Coiling rating (线圈电压)	Safety Standard (安全标准)	Contact rating (触点负载)
TRA2F	5 to 48VDC	TUV	16A 250VAC    16A 30VDC
		UL&CUL	20A 125VAC
		CQC	16A 250VAC

### ■ OVERALL AND MOUNTING DIMENSIONS 安装图



安装图



### 声明:

本产品规格书仅供客户使用时参考，如有更改，恕不另行通知。